

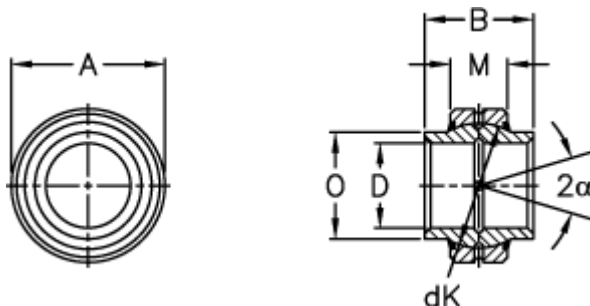
Data Sheet



Article number: 03503070

Description: Fluro Rod end GE 70HO-2RS

Measures



A = 105 0 -0,015

B = 65

D = 70 0 -0,015

dK = 92

Dynamic load C (kN) = 315

M = 40

O = 78

Static load C0 (kN) = 1560

Tilt angle = 3

Weight = 1600